

Important A2 Features

- Accuracy: 1%, 0.5% or 0.25%
- 5 psi to 10,000 psi pressure ranges
- Gauge and absolute reference pressure ranges
- PSI or bar measurement units
- Heavy industrial CE rating is standard with all variations
- Available agency listings include FM, UL, CE, CSA, ATEX
- Enclosure options include explosion proof, Nema 4X and IP67
- External zero and span adjustment option maintains NEMA-4X rating
- Sensor materials include 17-4 PH, and 316L
- Electrical output choices include 4-20mA, 1-5Vdc, 1-6Vdc, 0.5-4.5Vdc ratiometric, 0-5Vdc, 0-10Vdc

Model A2 Heavy Industrial, Explosion Proof and Sanitary Pressure Transmitter

The new Ashcroft® A2 Pressure Transmitter is ideal for a broad spectrum of pressure sensing requirements in heavy industrial, hazardous location and sanitary applications. It offers the instrument specifier a wide choice of construction and performance variables.

The Ashcroft® A2 is designed and manufactured to provide the user with accurate, reliable, and stable output data. This is accomplished through the use of an on board microprocessor, that is programmed during a unique digital compensation process, to provide extremely linear and precise performance over the entire specified pressure range and temperature band.



LOOK FOR THIS
MARK ON OUR
PRODUCTS

ISO 9001
REGISTERED FIRM



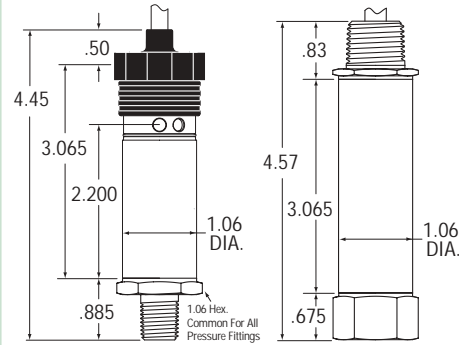
Instruments

ASHCROFT® A2 PRESSURE TRANSMITTER FOR INDUSTRIAL APPLICATIONS



The industrial user or OEM can outfit the A2 transmitter to meet specific application requirements, including optional absolute pressure ranges, 316L SS sensors, and a wide selection of process fittings and electrical connections. The Ashcroft® A2 is an ideal choice for pressure applications in:

- *Hydraulic Systems*
- *Test Stands*
- *Compressor Control*
- *Engine Monitoring*
- *Pump Control*
- *Construction and Off-Road Equipment*

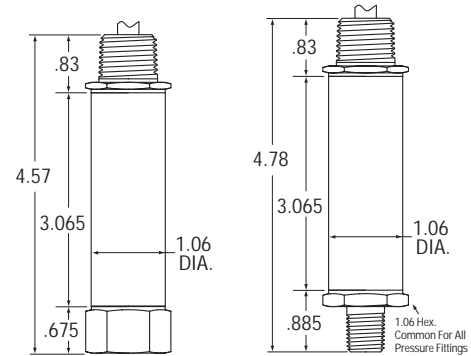


ASHCROFT® A2 PRESSURE TRANSMITTER FOR HAZARDOUS LOCATIONS



If your pressure sensing needs fall within a hazardous location, choose the A2 with the optional explosion-proof enclosure or intrinsic safety ratings. Common applications for the A2 in hazardous locations are:

- *Oil Field Equipment*
- *Gas Compression*
- *Off-Shore Oil & Gas Production*
- *Oil Production*
- *Gas Transfer Control*

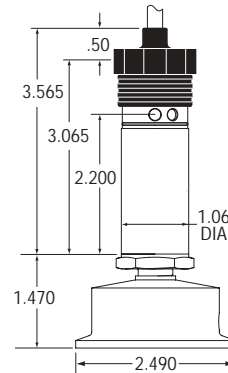


ASHCROFT® A2 PRESSURE TRANSMITTER FOR SANITARY APPLICATIONS



Equip the A2 pressure transmitter with optional electropolished 1½" or 2" sanitary process connections and you'll have an excellent pressure transmitter for pressure monitoring in steam in place (S.I.P.) or clean-in-place (C.I.P.) applications. Industries where the sanitary version of the Ashcroft® A2 is well suited include:

- *Dairy*
- *Food Processing*
- *Pharmaceutical*
- *Bio-Tech*
- *Ultra Filtration*



HOW TO ORDER THE A2 PRESSURE TRANSMITTERS

Type Configuration (A2)	Accuracy / Temp. Effect / Comp. Range	Pressure Connection	Output Signal	Electrical Termination	Pressure Range	Measurement Type	Optional X-Variations
(A) 0.25% ≤ 0.5% (-20°C to +85°C)	(M01) 1/8 NPT-M	(F04) 1/2 NPT-F	(05) 0-5 Vdc	Integral (Pigtail)	(5#) 5 psi*	(G) Gauge Pressure	(XCL) Non-standard calibration
(B) 0.50% ≤ 1.0% (-20°C to +85°C)	(M02) 1/4 NPT-M	(MG4) G 1/2 M	(10) 0-10 Vdc	(F2) 3' shielded cable	(10#) 10 psi*	(P) Pressure	(XHZ) Intrinsic Safety Listing (Pending)
(C) 1.00% ≤ 1.0% (-20°C to +85°C)	(F02) 1/4 NPT-F	(MG2) G 1/4 M	(15) 1-5 Vdc	(P1) (specify length)	(15#) 15 psi*	(A) Absolute Pressure	(XNS) 316L Sensor* Material
(D) 0.25% ≤ 1.0% (-40°C to +125°C)*	(MEK) 3/16-20	(VF2) 1/4 VCR-F, Std. Fin.	(16) 1-6 Vdc	Hirschmann Style Form A	(30#) 30 psi*		
(E) 0.50% ≤ 1.5% (-40°C to +125°C)*	(SAE-M)	(S15) 1 1/2" Tri-Clamp Sanitary	(RM) 0.5-4.5 Vdc Ratio Metric	DIN 43650-A	(60#) 60 psi		
*316L sensor standard	(F09) 3/16-18 (1/4)-F (Aminco)	(S20) 2" Tri-Clamp Sanitary	(42) 4-20mA	(DN) w/o mating conn.	(100#) 100 psi		
	(M04) 1/2 NPT-M			(D0) with mate, no cable	(10,000#) 10,000 psi**		
				(D2) with mate, 3' cable	(150#) 150 psi		
				(D1) with mate, (specify length)	(200#) 200 psi		
				4-Pin Bendix Style	(300#) 300 psi		
				(B4) w/o mating conn.	(500#) 500 psi		
				(H1) with mate, no cable	(750#) 750 psi		
				(L1) with mate, 3' cable			
				(P2) with mate, (specify length)			
				1/2 NPT-M Conduit			
				(C1) 3' shielded cable			
				(P7) (specify length)			
				1/2 NPT-M Conduit			
				(C2) 3' flying leads			
				(C3) (specify length)			
				M12 Threaded			
				(EW) w/o mating conn.			
				(E0) with mate, no cable			
				(E2) with mate, 3' cable			
				(E1) with mate, (specify length)			
					*316L sensor standard		
					**17-4 PH sensor only		
							*Where not standard

T[®] A2 TRANSMITTER

PERFORMANCE SPECIFICATIONS

Reference temperature 68°F (20°C)

Accuracy Class (% Span) **0.25%** **0.5%** **1.0%**

Nonlinearity

Terminal Point	≤0.15	≤0.25	≤0.50
BFSL	≤0.10	≤0.20	≤0.30

Hysteresis* ≤0.05 ≤0.10 ≤0.10

Nonrepeatability ≤0.05 ≤0.05 ≤0.05

*Hysteresis ≤0.10 for pressure range 5000 psi and above.

Stability:

Sensor Material 316L SS: ≤0.1% FS/year

Sensor Material 17-4PH: ≤0.5% FS/year

Durability: Greater than 10 million cycles (for standard 17-4 PH sensors)

Response Time: Less than 2 ms (10-90%)

FUNCTIONAL SPECIFICATIONS

Standard Wetted Materials and Performance:

Range Compound (psig)	Proof	Burst	Pressure Sensor Mat'l.
0/Vac	30	60	316L
Vac/15	60	120	316L
Vac/30	90	360	17-4PH ⁽¹⁾
Vac/60	120	480	17-4PH ⁽¹⁾
Vac/100	200	800	17-4PH ⁽¹⁾
Gauge (psig)			
5	10	20	316L
10	20	40	316L
15	30	60	316L
30	60	120	316L
60	120	480	17-4PH ⁽¹⁾
100	200	800	17-4PH ⁽¹⁾
150	300	1200	17-4PH ⁽¹⁾
200	400	1600	17-4PH ⁽¹⁾
300	600	2400	17-4PH ⁽¹⁾
500 ⁽²⁾	1000	4000	17-4PH ⁽¹⁾
750 ⁽²⁾	1500	6000	17-4PH ⁽¹⁾
1000 ⁽²⁾	2000	8000	17-4PH ⁽¹⁾
2000 ⁽²⁾	4000	16000	17-4PH ⁽¹⁾
3000 ⁽²⁾	4500	9000	17-4PH ⁽¹⁾
5000 ⁽²⁾	7500	15000	17-4PH ⁽¹⁾
7500 ⁽²⁾	9000	11250	17-4PH ⁽¹⁾
10000 ⁽²⁾	12000	15000	17-4PH
Absolute (psia)			
15	30	60	316L
30	60	120	316L
60	100	200	316L
100	200	400	316L
150	200	400	316L
200	500	1000	316L
300	500	1000	316L
500	1000	2000	316L
750	2000	4000	316L
1000	2000	4000	316L
2000	5000	10000	316L
3000	5000	10000	316L
5000	10000	15000	316L
7500	10000	15000	316L

Absolute (psia)

15	30	60	316L
30	60	120	316L
60	100	200	316L
100	200	400	316L
150	200	400	316L
200	500	1000	316L
300	500	1000	316L
500	1000	2000	316L
750	2000	4000	316L
1000	2000	4000	316L
2000	5000	10000	316L
3000	5000	10000	316L
5000	10000	15000	316L
7500	10000	15000	316L

(1) Also available in optional 316L SS sensor material. Refer to absolute pressure table above for proof and burst pressure data.

(2) Sealed sensor, (psis).

Consult factory for additional pressure ranges, measurement units or venting options.

ENVIRONMENTAL SPECIFICATIONS

Temperature Limits:

Process: -40 to +125°C (-40 to 257°F)

Storage: -40 to +125°C (-40 to 257°F)

Standard Compensation:

-20 to +85°C (-4 to 185°F)

Extended Compensation*:

-40 to +125°C (-40 to 257°F)

*316L sensor is required for extended comp.

Temperature Effect:

Accuracy Class **0.25%** **0.5%** **1.0%**

Std. Comp. (%/105°C)

Zero (% Span) ≤0.5 ≤1.0 ≤1.0

Span (% Reading) ≤0.5 ≤1.0 ≤1.0

Ext. Comp. (%/165°C)

Zero (% Span) ≤1.0 ≤1.5 N/A

Span (% Reading) ≤1.0 ≤1.5 N/A

Humidity Effects: No performance effects from

0 to 95% RH, non-condensing,

0-100% RH with (W) enclosure.

Vibration Effect:

Shock: 100g Peak, 11ms

Random: 10g RMS, 20-2000Hz

Sweep: 50-2000Hz, 5g peak

Position Effect: ≤0.02% Typical

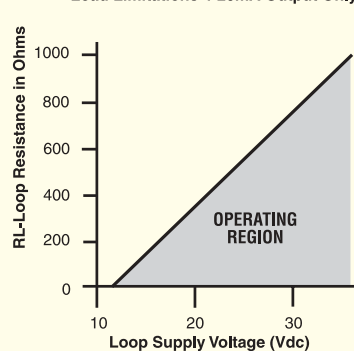
Output Signal: Supply Voltage: (unregulated)

	Minimum	Maximum
0-5Vdc (3 Wire)	12Vdc	36Vdc
0-10Vdc (3 Wire)	14Vdc	36Vdc
1-5Vdc (3 Wire)	10Vdc	36Vdc
1-6Vdc (3 Wire)	10Vdc	36Vdc
4-20mA* (2 Wire)	12Vdc	36Vdc
0.5-4.5 (3 Wire)	4.5Vdc	5.5Vdc

Ratiometric

*For intrinsically safe, see entity parameters for supply voltage & load limits. Refer to Dresser Drawing #825A022.

Load Limitations 4-20mA Output Only



$$V_{dcMIN} = 12V + (0.022A \times X (RL))$$

$$R_L = R_S + R_W$$

R_L = Loop Resistance (ohms)

R_S = Sense Resistance (ohms)

R_W = Wiring Resistance (ohms)

* (Includes a 10% safety factor)

Circuit Protection: Reverse polarity and mis-wire protected.

Over Voltage: 30 Vdc on ratiometric

Insulation Resistance (circuit to case):

50 M ohms @ 30Vdc

Electrical Connections:

Connector Options

• Hirschmann® Style – DIN 43650-A

• M12 threaded

• PT02A-8-4P – Bendix® style 4 pin

Cable Options

• ½ NPT Conduit – 36" shielded PVC cable, 24 AWG

• ½ NPT Conduit – 36" flying leads, 18 AWG

• 36" shielded PVC cable, 24 AWG

CE Mark (standard):

EN 61326:1997 + A1: 1998 Annex A

Heavy Industrial Immunity (Annex A, Table A.1)

Light Industrial/Residential Emission (Table 4)

OPT. HAZARDOUS LOCATION CERTIFICATIONS

Explosion Proof – UL, CSA

(approvals pending):

Explosion Proof: Class I, Div. 1 and 2,

Groups A, B, C and D

Dust Ignition Proof: Class II, Div. 1 and 2,

Groups E, F and G

Explosion Proof – ATEX (approvals pending):

CE II 2 GD

Ex d IIC T4*

Ex nC IIC T4*

Intrinsically Safe – FM, CSA

(approvals pending):

Intrinsic Safety: Class I, II and III, Div. 1

and 2, Groups A, B, C

D, E, F and G per entity

requirements see

Dresser drawing #825A022

Non-Incendive: Class I, II and III, Div. 2,

Groups A, B, C

D, E, F and G (no barrier

needed)

Intrinsically Safe – ATEX (approvals pending):

CE II 1 GD

EEx ia IIC T4*

*T6 for product temperature range below 85°C, order codes A, B, C)

PHYSICAL SPECIFICATIONS

Case: Material 304SS

Ingress Protection Rating:

Type Rating

Basic (IP65, NEMA 4X)

Zero/Span (IP65, NEMA 4X)

All Welded (w Z/S) (IP65, NEMA 4X)

All Welded (w/o Z/S) (IP67, NEMA 6)

Explosion Proof* (IP65, NEMA 7,9)

*Available with (C2) or (C3) electrical connection only

All ratings with Zero and Span access sleeve closed

Pressure Connections: 316L SS Material

Refer to "How to Order" on opposite page for size and style selection.

OPTIONAL FEATURES

• 316L Sensor* (XNS)

• Intrinsic Safety Listing (XHZ) (Pending)

• Non Standard Range Calibration (XCL)

*Optional in gauge ranges, 0-60 psig through 0-7500 psig

Consult Factory for Other Options

Hirschmann is a registered trademark of Richard

Hirschmann of America, Inc.

Bendix is a registered trademark of Amphenol Corp.

Sales and Customer Service Locations

World Headquarters

Dresser Instruments
Dresser, Inc.
250 E. Main Street
Stratford, CT 06614-5145
USA
Tel: 203-378-8281
Fax: 203-385-0408

International Operations

Brazil

Dresser Industria e
Comercio Ltda.
Rua Senador Vergueiro #433
09521-320 Sao Caetano do Sul
Sao Paulo, Brazil
Tel: 55-11-4224-7400
Fax: 55-11-4224-7477
E-Mail: vendas.instrumentos
@dresser.com

Canada

DI Canada, Inc.
2135 Meadowpine Blvd.
Mississauga,
Ontario L5N 6L5, Canada
Tel: 905-826-8411
Fax: 905-826-9106
E-Mail:
Lance.Barette @dresser.com

China

Dresser, Inc. China
Room #2404, Capital Mansion
No. 6 Xin Yuan Nan Road
Beijing, People's Republic of
China 100004
Tel: 86-10-84862440/1/2/3/4
Fax: 86-10-84862445
E-Mail:
dresser@public3.bta.net.cn

France

Dresser Europe GmbH
Division Instrumentation
206 Rue des Campanules
Le Mandinet
F 77185 Lognes, France
Tel: 33-1-60372530
Fax: 33-1-60372539
E-Mail: dresser.europe@wanadoo.fr

Germany

Dresser Europe GmbH
Postfach 11 20 Max-Planck-Str. 1
D-52499 Baesweiler, Germany
Tel: 49-24-01-8080
Fax: 49-24-01-7027
E-Mail: jbiermans@dresserbae.de

Japan

Dresser Japan, Inc.
Room, Shin Tokyo Building
3-3-1 Marunouchi
Chiyoda-ku, Tokyo 100-0005, Japan
Tel: 813-3201-1501
Fax: 813-3213-6567
E-Mail:
yuichi.yamamoto@dresserjapan.co.jp

Mexico

Dresser Instruments S.A. De C.V.
Mexico Operations
Henry Ford No. 114
Esq. Foulton Fracc.
Industrial San Nicolas
54030 Tlalhepantla, Edo De Mexico
Tel: (52)55-53-10-72-17
(52)55-53-10-89-83
(52)55-53-11-28-29
(52)55-53-11-28-75
Fax: (52)55-53-10-26-08
E-Mail: jmendieta@dresseri.com

Saudi Arabia

Dresser Al Rushaid (DARVICO)
P.O. Box 10145, Support Industry Park
Sec. E, Lot 1, Block 5K
Saudi Arabia 31981
Tel: 966-3-341-0278
Fax: 966-3-341-7624
E-Mail: bill_dumasia@darvico.com

Singapore

Dresser Singapore
Instrument Operations
Block 1004
Toa Payoh North #07-15/17
Singapore 318995
Tel: 65-6252-6602
Fax: 65-6252-6603
E-Mail: john.wong@dresser.com.sg

United Kingdom

Dresser Europe GmbH
East Gillibrands, Skelmersdale
Lancashire, WN8 9TU
United Kingdom
Tel: 44-16-95-52600
Fax: 44-16-95-52693
E-Mail: sales@dresser-instrument.co.uk

Venezuela

Manufactures Petroleras
Venezolanas(M.P.V.)
KM 7 Carretera AEI Mojan Calle
18#15B355 ZONA Ind. Norte Sector
Canchancha Maracaibo Edo
Zulia Venezuela
Tel: 58-261-757-9070
Fax: 58-261-757-9461
E-Mail: contactenos@mapvensa.com
E-Mail: ventasmpv@telcel.net.ve



Instruments

www.ashcroft.com

©Copyright 2004 Dresser Instruments, Dresser, Inc. All rights reserved.
All specifications are subject to change without notice.
All sales subject to standard terms and conditions.
5MSP-8/04